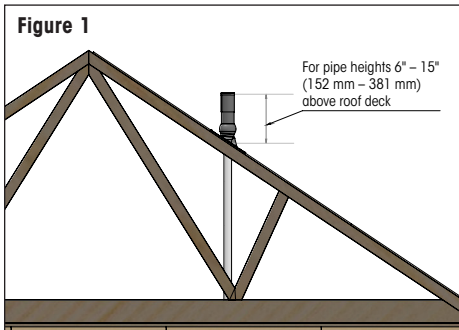


Always read and observe safety considerations and published installation instructions

- Use this product only in the manner intended by GAF.
- If you have installation questions, please contact **GAF Master Flow® Technical Services at 1-800-211-9612** or email WarrantyLLBP@gaf.com. In the unlikely event that accessories or parts are missing or this product does not function properly, please contact GAF Master Flow® Technical Services. Do **NOT** return this rooftop accessory to retailers or distributors.
- Install only on **roof slopes 3:12–12:12**
- Compatible with **Schedule 40 PVC, ABS, and Steel plumbing pipe inside diameters** and may be used with **6" – 15" (152 mm – 381 mm) tall pipes** (see Figure 1 and Compatibility Chart)



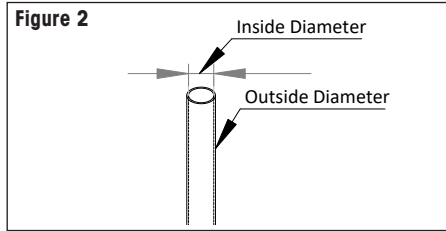
Note: If necessary, taller plumbing pipes can be cut down to 15" (381 mm) or less.

- During installation and handling, **always wear appropriate Personal Protective Equipment (PPE)** such as safety glasses, durable work gloves, hard hats, fall restraints, and other safety equipment to avoid injury.

Always review and observe all applicable local building and plumbing codes in your area. **Note:** plumbing codes often require plumbing vent pipes to extend vertically at least 6" (152 mm) above the roof deck

Compatibility Chart

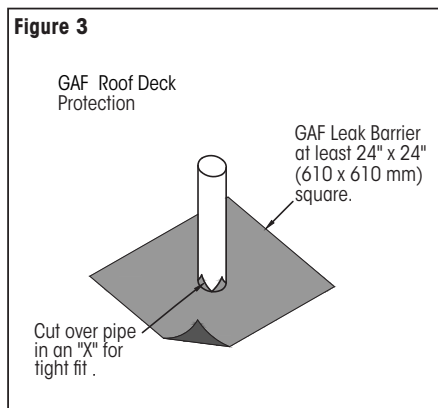
| Pivot™ Model | Compatible with the Following: | |
|-----------------------------|---|--------------------------------------|
| | Schedule 40 PVC, ABS, and Steel Plumbing Pipes (Pipe Inside Diameters) | Pipe Height (Above Roof Deck) |
| Pivot 1.5 PPBG1.5 | 1.5" (38.1 mm) | 6" – 15" (152 mm – 381 mm) |
| Pivot 2 PPBG2 | 2" (50.8 mm) | |
| Pivot 3 PPBG3 | 3" (76.2 mm) | |
| Pivot 4 PPBG4 | 4" (101.6 mm) | |



Preparation:

- Install roof deck protection (i.e., underlayment), such as GAF Deck-Armor™ Premium Breathable Roof Deck Protection, per manufacturer's published installation instructions. The roof deck protection should always be installed leaving at least 6" (152 mm) of exposed roof deck around the plumbing pipe.
- Cut a minimum 24" x 24" (610 mm x 610 mm) square piece of self-adhering leak barrier, such as GAF StormGuard® Film-Surfaced Leak Barrier, and center the square over the top of the plumbing pipe.
- Cut an "X" in the leak barrier square from one outside edge of the plumbing pipe to the other, ensuring the "X" is **slightly smaller** than the pipe's overall width to allow the leak barrier to fit tightly around the pipe.
- Remove the release liner on the leak barrier and lower the leak barrier down around the plumbing pipe, firmly pressing it in place to the roof deck, roof deck protection, and up the side of the plumbing pipe itself. Reference (Figure 3) for a sample of the completed preparation.

Note: A hand-held roller can be used to help ensure maximum adhesion of the self-adhering leak barrier.

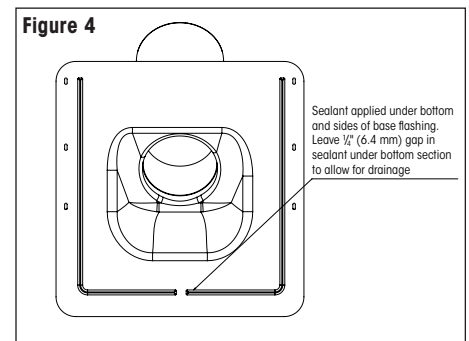


- Proceed with shingling up to the plumbing pipe, following the manufacturer's published installation instructions.

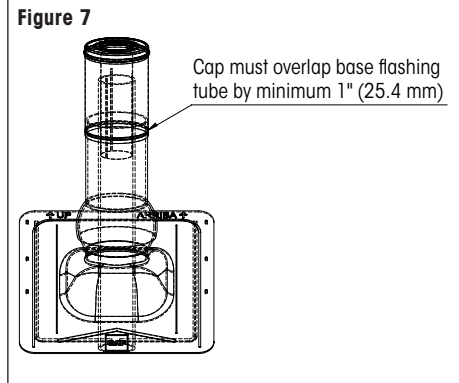
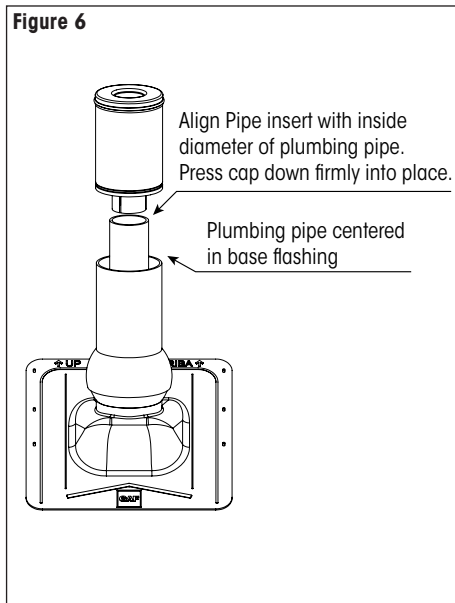
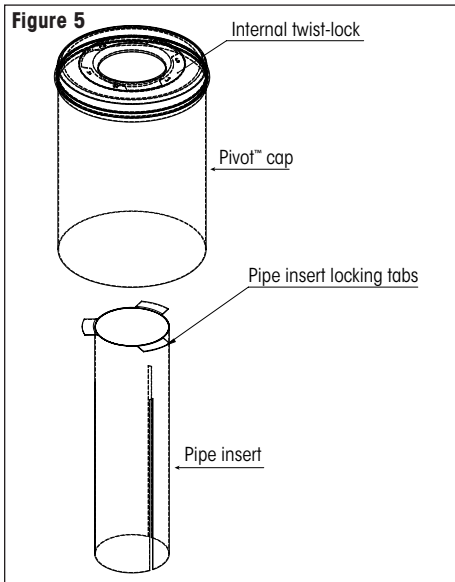
Pivot™ Installation:

- Separate the Pivot™ cap assembly from its base flashing assembly.
- Using the base flashing's built-in ball/socket pitch adjustment feature, adjust the Pivot™ so that it is oriented **vertically** toward the sky. This feature allows for simple rooftop pitch adjustment from 3:12 – 12:12.
- With the "UP" arrow inscribed in the base flashing pointing towards the roof peak, center and slide the base flashing down over the plumbing pipe. The bottom portion of the base flashing must always sit on **TOP** of the shingle course below the plumbing pipe. Use the Pivot™'s rooftop pitch adjustment feature to center the plumbing pipe in the base flashing and to vertically orient the Pivot™ towards the sky.

Note: For additional weather protection, a bead of asphalt plastic roofing cement (ASTM D4585 Type I or Type II) or polyurethane roofing and flashing sealant (ASTM C920) can be applied in a 'U' shape pattern underneath the bottom and sides of the base flashing (Figure 4).



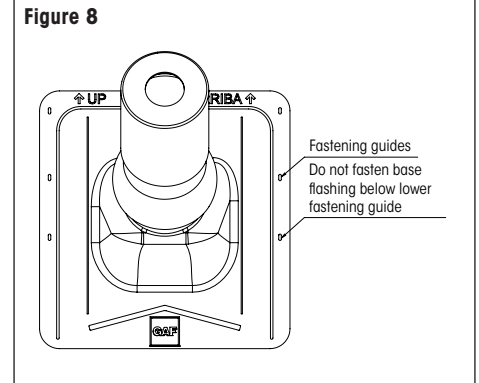
9. Holding the Pivot™ cap in your hands, turn the pipe insert **clockwise** to ensure it's locked securely into the cap (Figure 5). Align pipe insert with **inside diameter opening** of plumbing pipe and push cap down firmly into place on the base flashing tube. The pipe insert will fit snugly into the pipe (Figures 6 & 7). Do **NOT** twist cap.



Note: The cap portion of the Pivot™ must always overlap the base flashing tube by a minimum of 1" (25.4 mm).

10. Fasten the Pivot™ base flashing securely to the roof deck using the fastening guides located on both sides of the base flashing. Do **NOT** fasten outside of the fastening guides. Fasteners must never be left exposed (Figure 8).

Note: Use corrosion-resistant roofing nails. Nails must always penetrate through plywood and OSB decks or at least 3/4" (19 mm) into wood planks.



11. Proceed with shingling over the sides and top of the base flashing using the pre-formed rib on the sides of the base flashing, which help to guide shingle termination/placement.

Note: For additional weather protection, a bead of asphalt plastic roofing cement (ASTM D4585 Type I or Type II) or polyurethane roofing and flashing sealant (ASTM C920) can be applied on the sides and top portions of the base base flashing before covering with shingles.