

8

7

6

5

4

3

2

1

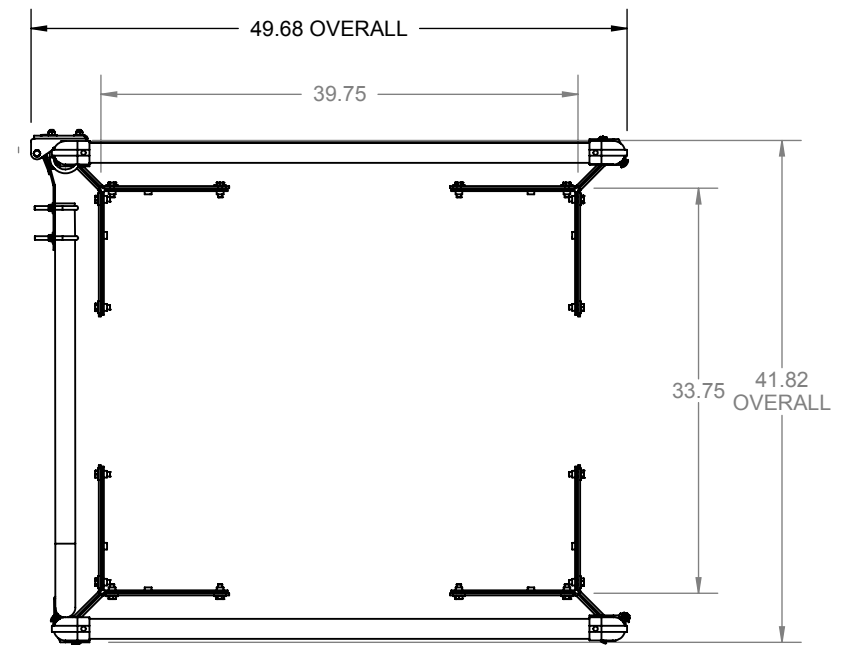
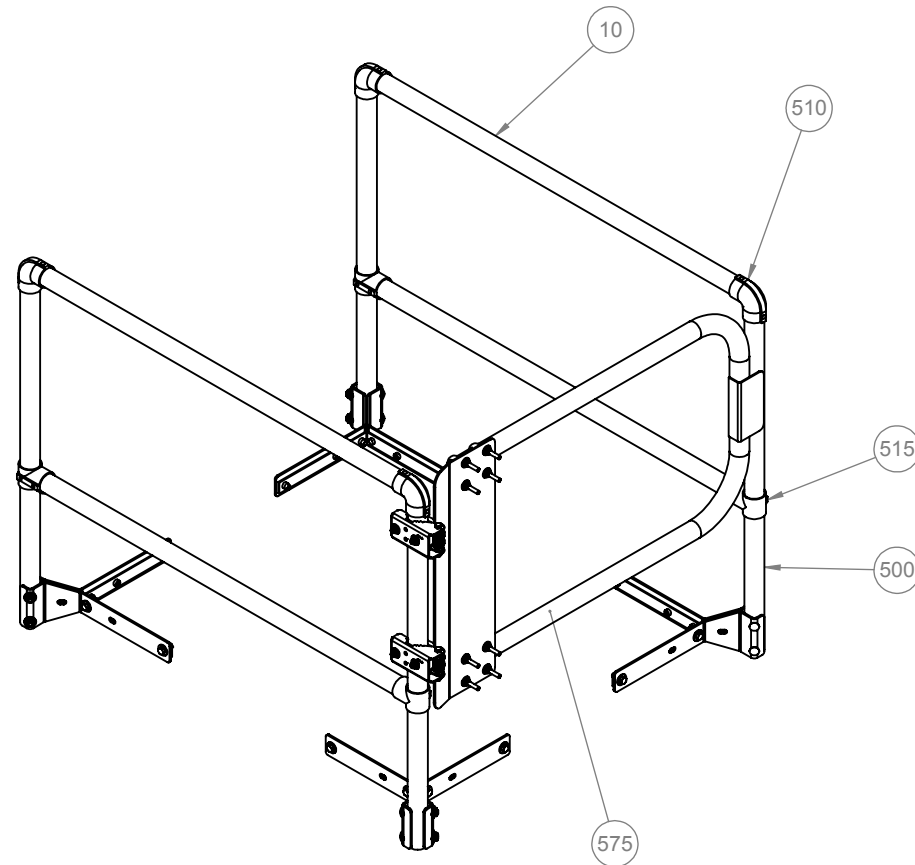
ITEM NO.	PART NUMBER	DESCRIPTION	QUANTITY
10	27496-43.75	RAIL, 1 1/4" X 43.75	4
500	27180-A	PKG, CORNER POST, ZPS,	4
510	27185	FTG, ELBOW,	4
515	27188	FTG, TEE,	4
575	SRCA-GATE-30	GATE, 30,	1

D

C

B

A



SPECIFICATIONS

RAILS, POSTS: 6061 T6 ALUMINUM ALLOY 1 1/4" I.D. SCH 40

GATE: 1 1/4" TUBULAR ALUMINUM SELF CLOSING WITH C OIL SPRING, ZINC PLATED

COUNTERFLASH MOUNTING BRACKETS: 3/16" ZINC PLATED STEEL FASTENED TO STEEL BACKING PLATE, SLATE GRAY POWDER COAT

BOLTS: HEX HEAD BOLTS 3/8"-16 x 3/4" GRADE 5 ZINC PLATED

RAILING FITTINGS AND PLUGS: MANUFACTURER'S STANDARD CAST WITH SET SCREW HOLD

FITS HATCH SIZES UP TO 36" X 30"

CERTIFICATIONS: MEETS OSHA 29 CFR 1910.23 GUARDING FOR OPENINGS REQUIREMENTS; SUPPORTS 200 LBS. FORCE

**SRCA36X30FG**



9300 73rd Avenue North  
Brooklyn Park, MN 55428

TITLE:  
Safety Railings for Roof Hatch  
36X30, Front Exit,  
Alum, Mill, Self Closing Gate

NAME	DATE	SIZE	DWG. NO.	REV
DRAWN SJB	TODAY	B	SRCA36X30FG	A
RELEASED DWO	4/16/2018			

8

7

6

5

4

3

2

1